

Taymor® | P R O D U C T SPECIFICATIONS

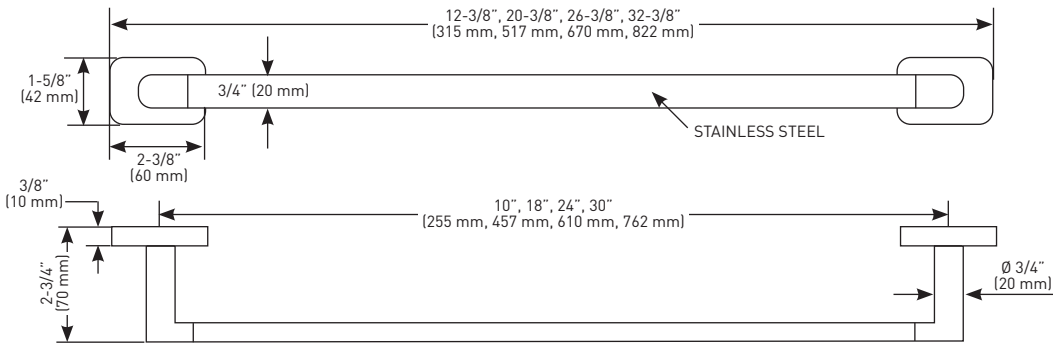
SPELLBOUND

FEATURES

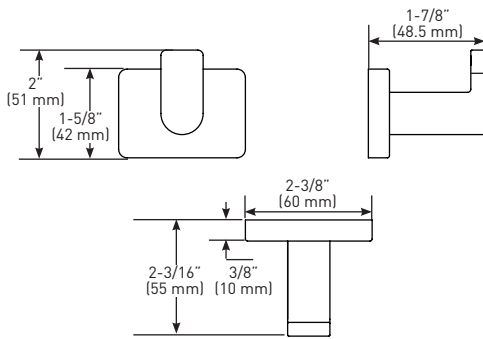
- › INCLUDES MOUNTING PLATES: 2" x 1-3/16" [50 mm x 30 mm]; NYLON ANCHORS AND STEEL PHILLIPS HEAD SCREWS: #8 x 1-1/4" [32 mm]
- › ZINC CONSTRUCTION (POSTS)



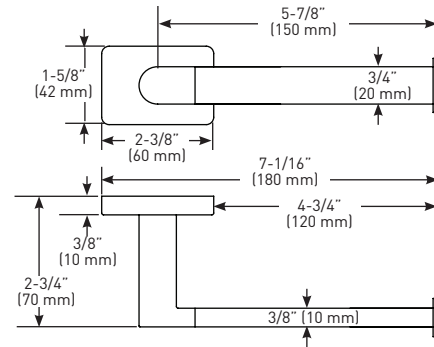
TOWEL BAR



ROBE HOOK



PAPER HOLDER (RIGHT HAND INSTALLATION ONLY)



MEASUREMENTS SUBJECT TO A 3% VARIANCE

MEASUREMENTS ARE FOR REFERENCE ONLY. TAYMOR RESERVES THE RIGHT TO CHANGE THE PRODUCT SPECS WITHOUT NOTICE. FOR PRODUCT WARRANTY, PLEASE VISIT TAYMOR WEBSITE FOR DETAILS

BUILDER PACK	MATERIAL	POLISHED CHROME 26	CASE QTY.
HAND TOWEL BAR	ZINC/STAINLESS STEEL	04-32110	10
18" TOWEL BAR	ZINC/STAINLESS STEEL	04-32118	10
24" TOWEL BAR	ZINC/STAINLESS STEEL	04-32124	10
30" TOWEL BAR	ZINC/STAINLESS STEEL	04-32130	10
SINGLE ROBE HOOK	ZINC	04-32101	10
PAPER HOLDER	ZINC/STAINLESS STEEL	04-32148	10

